

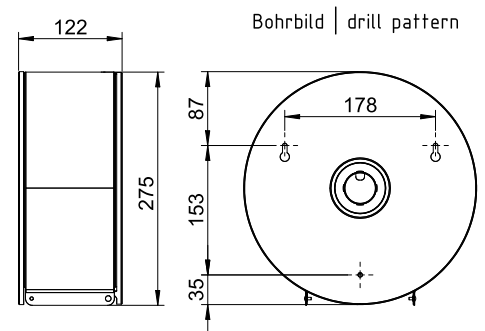
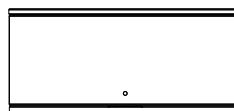
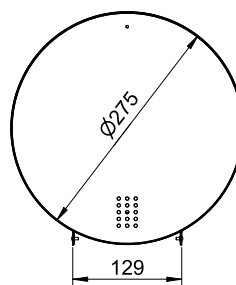
ART. PU-350

Jumbo toilet roll holder

Jumbo toilet roll holder, stainless steel

Jumbo toilet roll holder for wall mounting. Stainless steel, brushed surface. Cover 1.0mm thickness. Perforated design area with 4mm drillings. Lock not visible. For jumbo rolls with max. 270mm diameter. Tearoff edge at withdrawal opening. Including key, stainless steel screws and plugs.

Only the PROOX key supplied may be used for opening.



Mounting video

