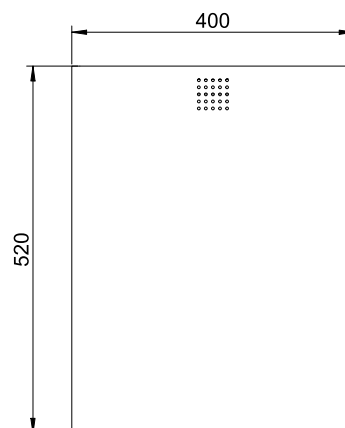


ART. PU-240

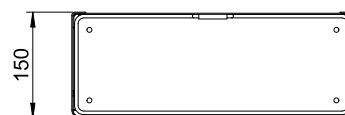
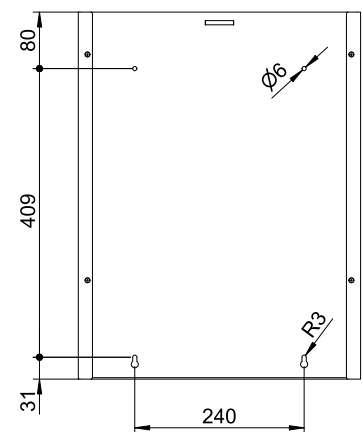
Waste bin

Waste bin, stainless steel, approx. 31 l, 400mm width

Waste bin for wall mounting. Stainless steel, brushed surface. Cover 1.5mm thickness. Perforated design area with 4mm drillings. Integrated bag holder. 31 litres capacity. As floor standing model optional available. Including stainless steel screws and plugs.



Bohrbild | drilling pattern



Mounting video

