

ART. ME-500

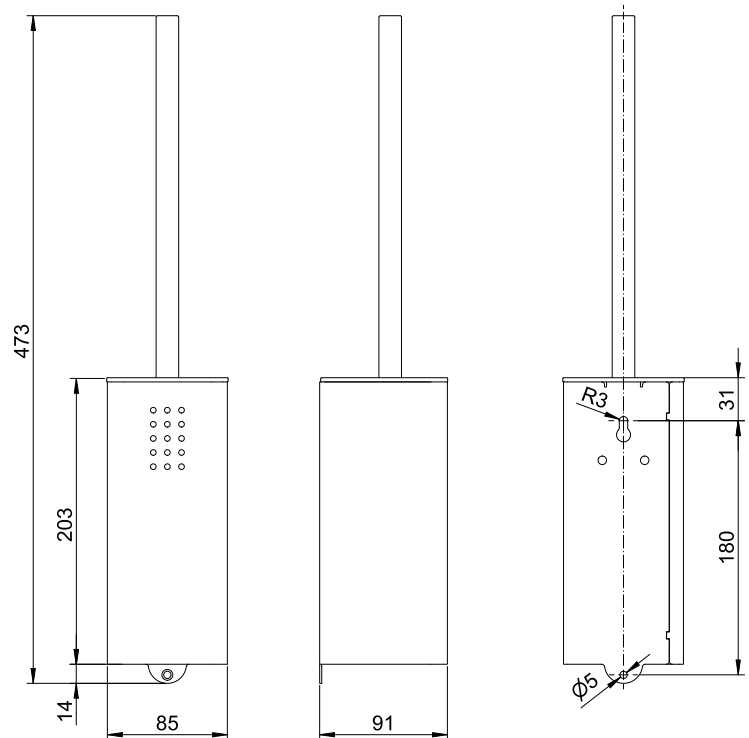
Toilet brush set

Toilet brush set, brass

Toilet brush set for wall mounting. Brushed stainless steel with PVD coating in brass | gold souk. Cover 1.5mm thickness, closed all around. Perforated designed area with 4mm drillings. Brush handle made out of stainless steel. The stainless steel material used is particularly corrosion-resistant with AISI 316 (V4A). Black replaceable brush head with functional shape. Including plastic bin for easy cleaning. Including stainless steel screws and plugs.



Bohrbild | drilling pattern



Mounting video

