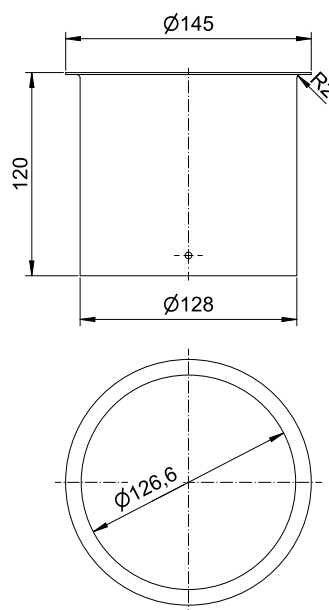


ART. ME-280

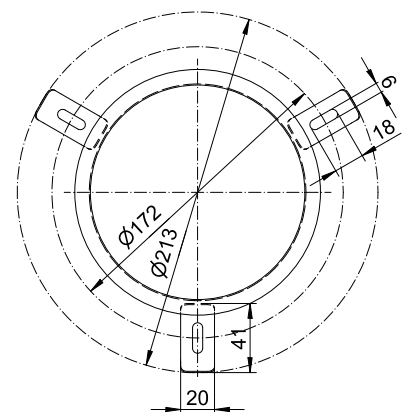
Circular waste chute

Circular waste chute, brass, 120mm height, 145mm diameter

Circular waste chute for washbasin installation from above or below. Brushed stainless steel with PVD coating in brass | gold souk. 1.2mm thickness. With crimped edge. Including mounting clips and screws.



Montageklammern / Mounting Bracket



Mounting video

