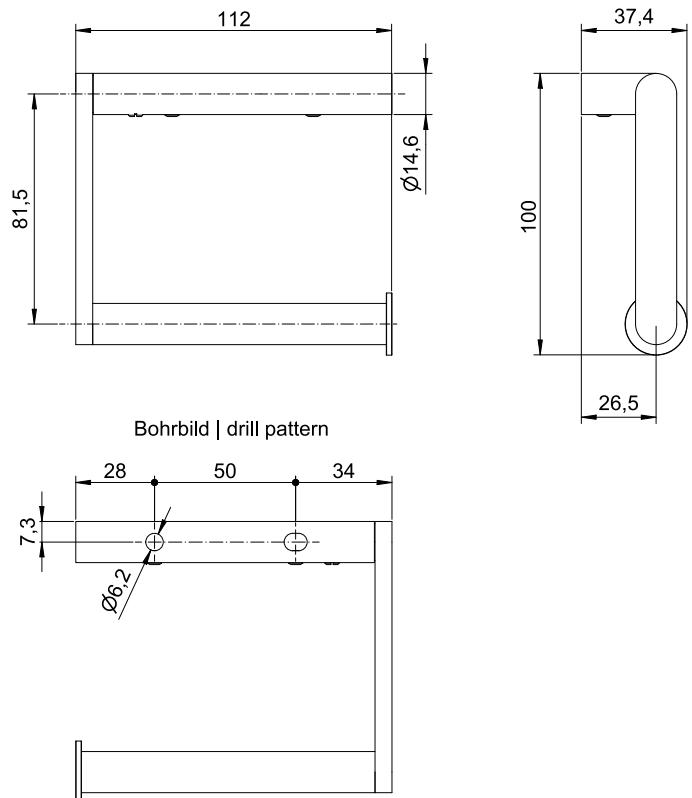


ART. LL-384

Single toilet roll holder

Single toilet roll holder with long mounting body, stainless steel, coated

Single toilet roll holder with long mounting body for wall mounting. Stainless steel, surface powder-coated in bespoke color | Limitless Colors. For rolls with max. 105mm width and minimum 23mm tube diameter. Including small concealed mounting system with plugs and stainless steel adapter screws.



Mounting video

