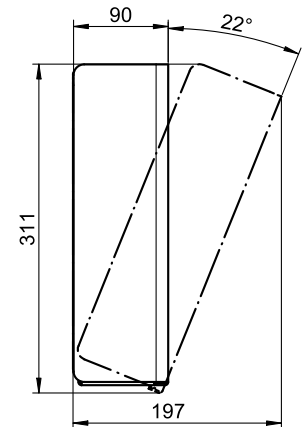
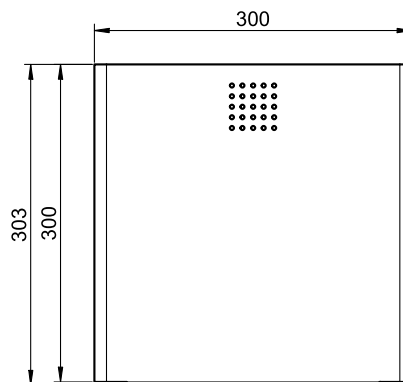


ART. AN-400

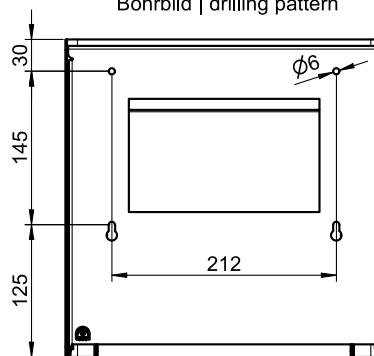
Hygiene waste bin with integrated hygiene bag dispenser

Hygiene waste bin with integrated hygiene bag dispenser, anthracite

Hygiene waste bin with integrated hygiene bag dispenser for wall mounting. Brushed stainless steel with PVD coating in anthracite | charcoal. Cover 1.5mm thickness. Perforated designed area with 4mm drillings. Including plastic bin with 4 litres capacity. Self-closing mechanism. Integrated hygiene bag dispenser for hygiene bags up to 132x87x20mm. Including stainless steel screws and plugs.



Bohrbild | drilling pattern



Mounting video

