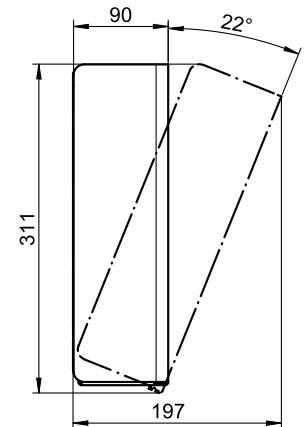
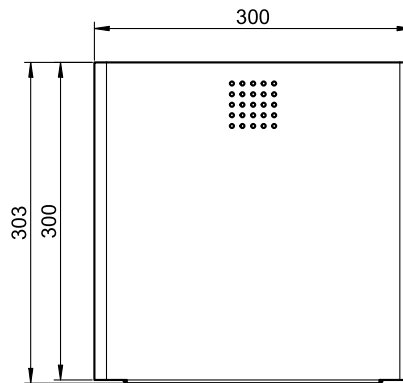


ART. AB-400

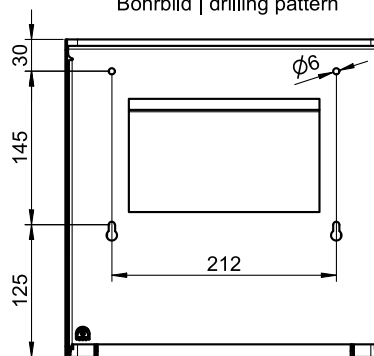
## Hygiene waste bin with integrated hygiene bag dispenser

### Hygiene waste bin with integrated hygiene bag dispenser, bronze

Hygiene waste bin with integrated hygiene bag dispenser for wall mounting. Stainless steel, surface powder-coated in bronze matt with fine structure | Architectural Bronze. Cover 1.5mm thickness. Perforated designed area with 4mm drillings. Including plastic bin with 4 litres capacity. Self-closing mechanism. Integrated hygiene bag dispenser for hygiene bags up to 132x87x20mm. Including stainless steel screws and plugs.



Bohrbild | drilling pattern



Mounting video

