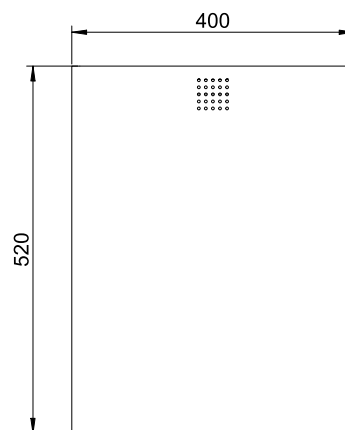
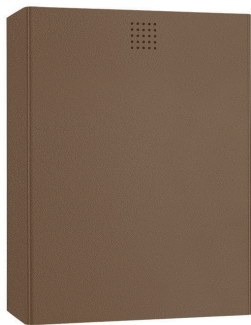


ART. AB-240

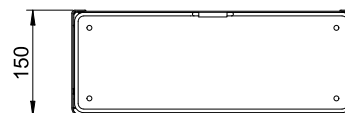
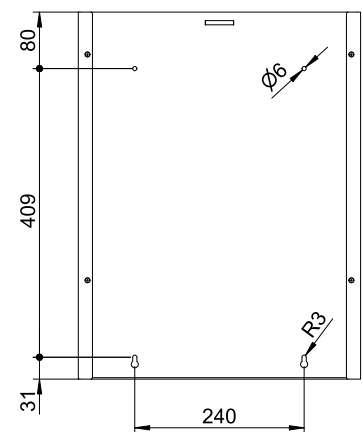
Waste bin

Waste bin, Architectural Bronze, approx. 31 l, 400mm width

Waste bin for wall mounting. Stainless steel, surface powder coated in Architectural Bronze with fine structure. Cover 1.5mm thickness. Perforated design area with 4mm drillings. Integrated bag holder. 31 litres capacity. As floor standing model optional available. Including stainless steel screws and plugs.



Bohrbild | drilling pattern



Mounting video

