

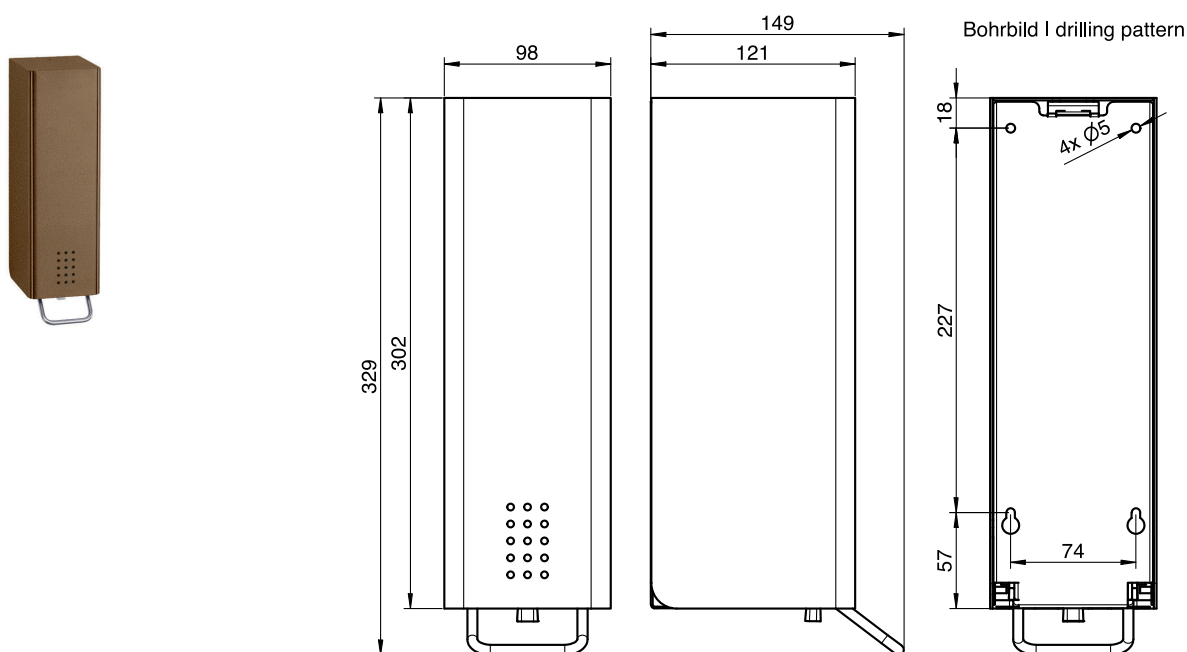
ART. AB-140-LO

## Dispenser for lotion soap

### Dispenser for lotion soap, Architectural Bronze, 1.4 l, 329mm height

Dispenser for lotion soap for wall mounting. Stainless steel, surface powder coated in Architectural Bronze with fine structure. Cover 1.5mm thickness. Perforated design area with 4mm drillings. Lock not visible. Dispenser lever made out of stainless steel. High quality pump with retraction function. Filling bin with lid. 1.4 litres capacity. 1.5 ml per stroke. The unit can be replaced for cleaning purpose. Including key, stainless steel screws and plugs.

Only the PROOX key supplied may be used for opening.



Mounting video

