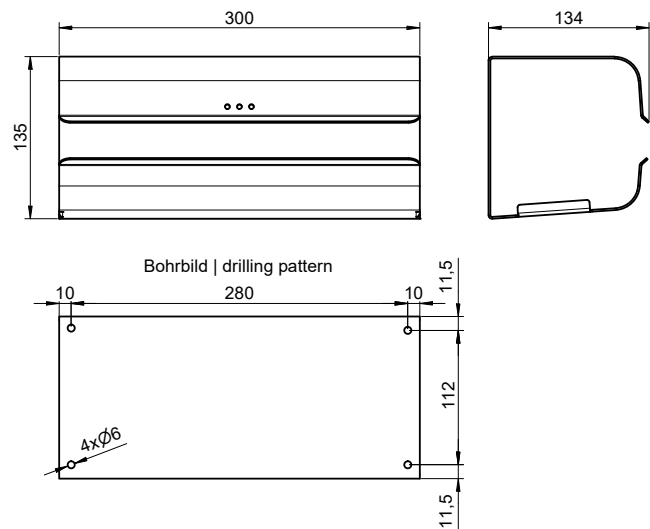
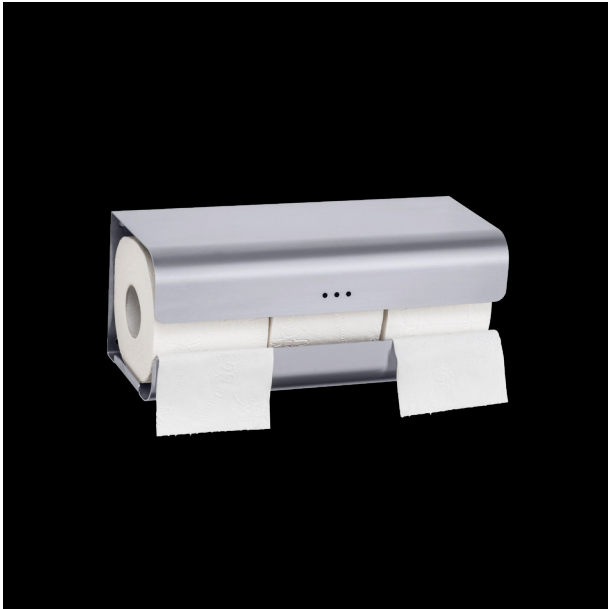


Triple toilet paper and spare roll holder PU-383



Triple toilet paper and spare roll holder landscape format, stainless steel

Triple toilet paper and spare roll holder landscape format for wall mounting. Stainless steel. Surface with fine brushed structure. 1.5mm material thickness. Perforated design area with 4mm drillings. For 3 standard toilet paper rolls with maximum diameter of 125mm. Including stainless steel screws and plugs.