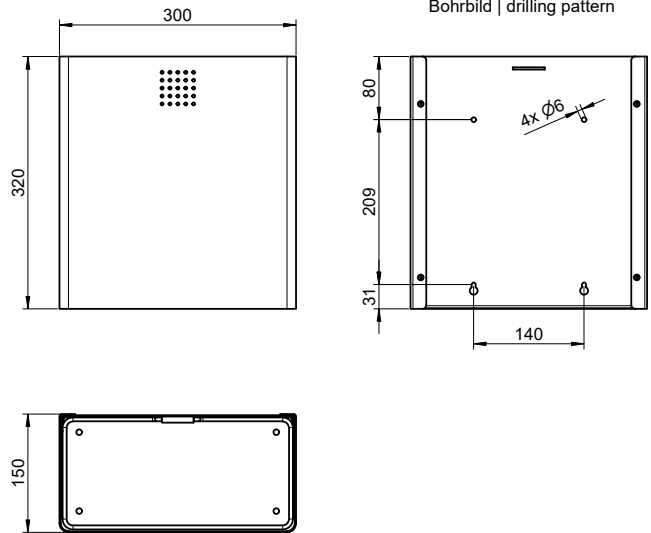


Waste bin BR-230



Waste bin, bronze, approx. 14 l, 300mm width

Waste bin for wall mounting. Stainless steel with PVD coating in bronze. Cover 1.5mm thickness. Perforated design area with 4mm drillings. Integrated bag holder. 14 litres capacity. Including stainless steel screws and plugs.

Assembly
Instruction

