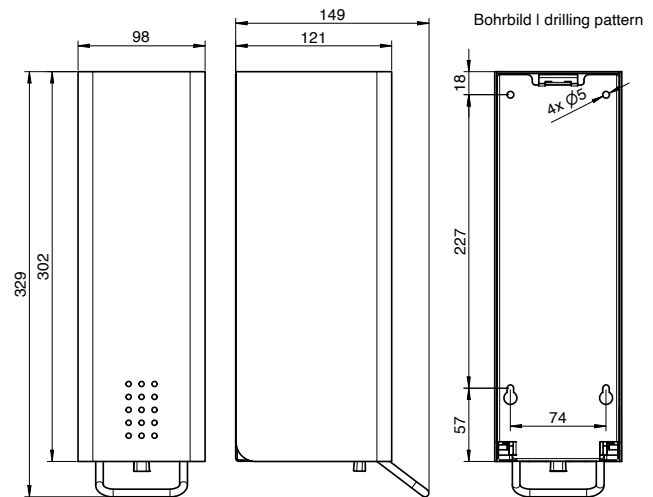


Dispenser for lotion BR-140-LO



Dispenser for lotion, bronze, 1.4 l, 300mm height

Dispenser for lotion for wall mounting. Stainless steel with PVD coating in bronze. Cover 1.5mm thickness. Perforated design area with 4mm drillings. Lock not visible. Dispenser lever made out of stainless steel. High quality pump with retraction function. Filling bin with lid. 1.4 litres capacity. 1.5 ml per stroke. The unit can be replaced for cleaning purpose. Including key, stainless steel screws and plugs.